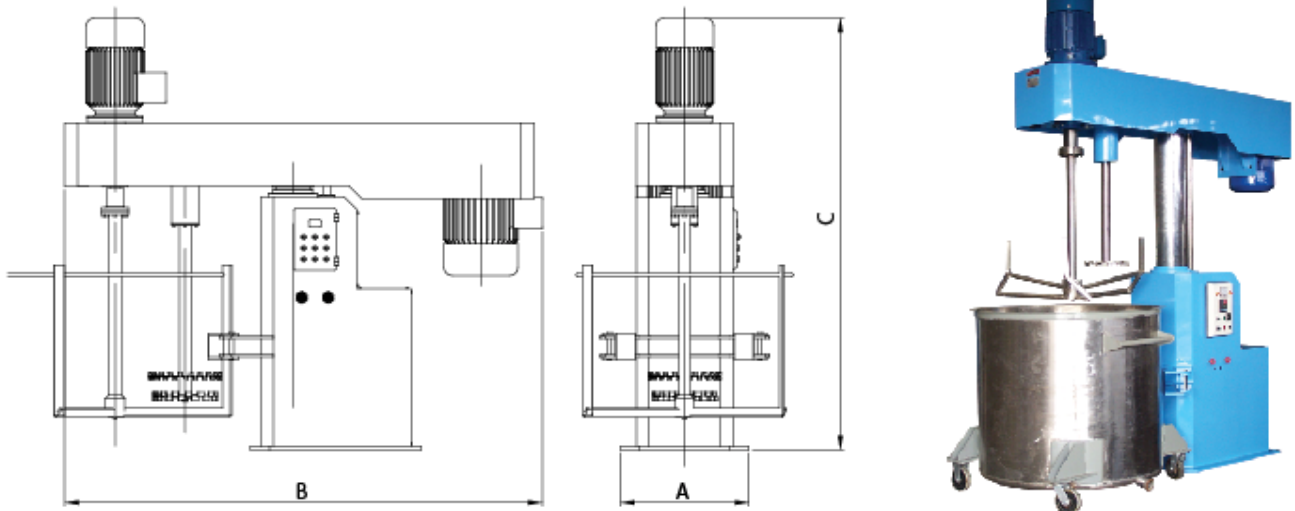




**P-Mix Dispersing and Mixer for Production
Twin Shaft Series**



Twin shaft for high viscosity products. The two machines in one combining the dispersing action of a high speed shaft and disc impeller with the high shear action of the heavy impeller.

Option

- Explosion proof type of motor and control panel
- Available on Request

Model	Motor (HP)	Speed (rpm)	Mixing Cap (liters)	Impeller (mm)	Stroke (mm)	A Width (mm)	B Length (mm)	C Height (mm)	Height+ Stroke (mm)	Weight (Kg)
15/30	15/30	0-2000	800	250/1100	1050	730	2470	2350	2390	
30/75	30/75	0-2000	1200	300/1140	1250	800	2950	2820	4070	

P.General Products : 234 Moo.5,Prakasa Road.,Prakasa,Muang,Samutprakarn 10280 Thailand.

Tel:(662)728-5246-8 Fax:(662)728-5249

E-mail:info@p-general.com